

Print this page FIRST

To ensure ring-sizing accuracy, print this page with your printer set to print at 100%. Do this by turning off your printer's reduce or enlarge print size settings in the page setup dialog box. After printing the page, measure the marked guide along the side with a ruler to confirm accuracy.

How to measure

Using your printed page, follow method A or B:

◀ Method A

Measure your finger and compare to the scale:

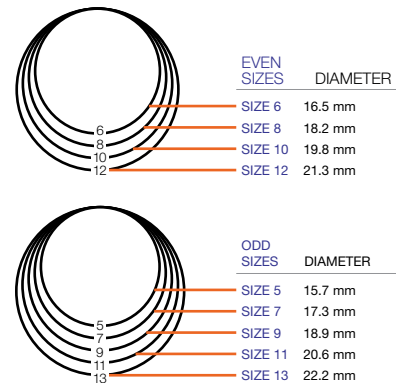
1. Find a piece of non-stretchy string about 6" long, or a strip of paper about 6" long and 1/4" wide.
2. Wrap it snugly around the base of your finger.
3. Using a pen, mark the point on the string or paper where it overlaps, forming a complete circle.
4. Compare the length of the string or paper to the marks on the guide at right to determine your ring size.

If you are between sizes, order the larger size.

▼ Method B

Measure a ring that fits you (or your intended recipient):

If you have a ring to size to, place that ring over the circle. Make sure the inside of the ring lines up with the outside of the circle. If you are between sizes, order the larger size.



TIPS & INFORMATION

Been a while?

Tips to find your own ring size:

- Measure your finger in average temperatures, preferably at midday.
- If your knuckle is larger than the base of your finger, use Method A, except measure both the base of your finger and your knuckle and select a size in the middle.

Buying for someone else?

Tips to keep it a surprise:

- Ask his/her mother or friend if they know their finger size, OR
- Borrow one of his/her rings and use Method B. (Make sure to borrow a ring that fits the finger you intend your gift ring to fit.)

Other tips and information:

- When considering a wide band, move up a size from your measurement, for comfort's sake.
- Different countries have different ring-size systems. All sizes listed here are standard American sizes.
- The average woman's ring size is about 6. The average man's ring size is about 10.
- Your ring size will be about half a size larger on your primary hand (i.e., the hand you write with).

Returns:

Please note that monogrammed and personalized rings are not eligible for exchange or refund unless they are damaged. Additionally, we are unable to refund gift box or gift-wrap charges and cannot accept them as a return.

Send it in style

Choose to send their ring in one of our gift boxes for an elegant touch. See our web site for details.